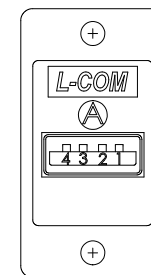
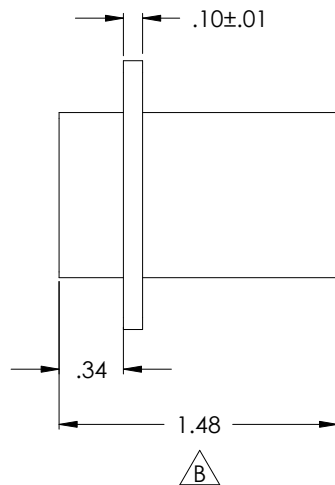
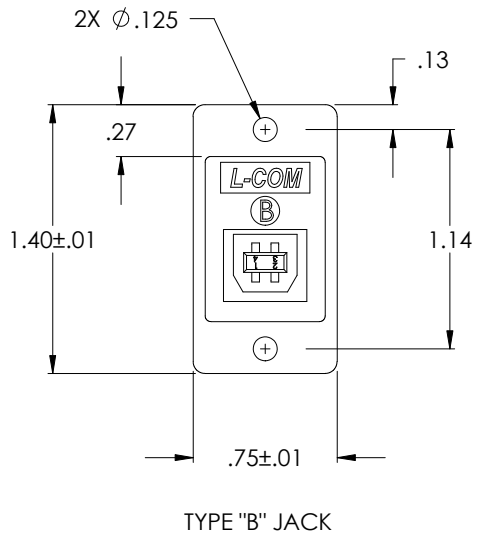


THE INFORMATION CONTAINED IN THIS DRAWING IS THE SOLE PROPERTY OF L-COM, INC. ANY REPRODUCTION IN PART OR WHOLE WITHOUT THE WRITTEN PERMISSION OF L-COM, INC. IS PROHIBITED.

REVISIONS			
REV	DESCRIPTION	DATE	APPROVED
A	INITIAL RELEASE	11/12/03	MCCORMICK
B	ECN#2082: CORRECTING LENGTH DIM.	05/24/05	M.LAHEY

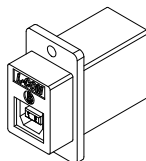
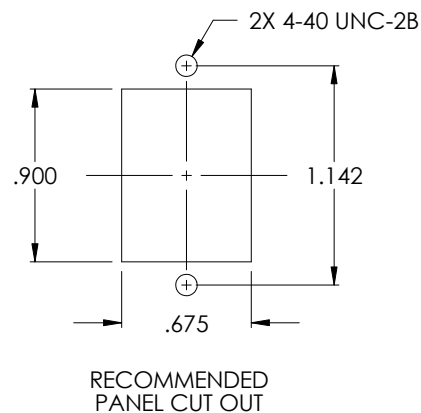
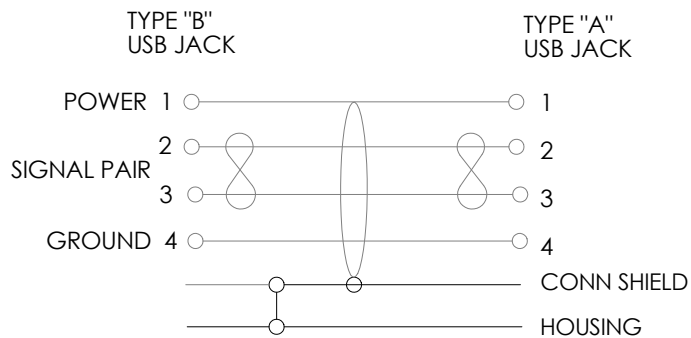


SPECIFICATIONS;
MEETS REQUIREMENTS OF USB 2.0
UL94V-0 COMPLIANT

MATERIALS;
HOUSING: ABS WITH CHROME CONDUCTIVE
LIQUID APPLIED PLATING
CONTACTS: PHOSPHOR BRONZE
CONTACT PLATING: 50 μINCHES GOLD OVER NICKEL

ELECTRICAL;
CURRENT RATING: 2 AMP MAX
VOLTAGE RATING: 140 VDC
USB JACKS ARE MOUNTED ON A PRINTED CIRCUIT
BOARD WIDTH OF TRACES: .040"

ENVIRONMENTAL;
OPERATING TEMPERATURE RANGE: -20°C TO 80°C



UNLESS OTHERWISE SPECIFIED,
DIMENSIONS ARE IN INCHES
TOLERANCES ARE:
X ±.1
XX ±.05
XXX ±.005
CABLE LENGTH TOLERANCE
<300" ±5% >300" ±2%

APPROVALS	DATE
DRAWN BY C.MCCORMICK	11/12/2003
CHECKED BY D.PARHAM	11/12/2003
APPROVED BY R.CARRICK	11/12/2003

CONFIGURATION DETAILS OF
UNDIMENSIONED FEATURES
MAY VARY

L-com
CONNECTIVITY
PRODUCTS

45 BEECHWOOD DRIVE
NORTH ANDOVER, MA
01845

PRODUCT DESCRIPTION
USB SHIELDED ADAPTOR

DRAWING TITLE
OUTLINE DRAWING

SIZE	FSCM NO.	DWG. NO.	REV.
A	43321	ECF504-BAS-OD1	B
SCALE: NONE		CAD FILE: ECF504-BAS-OD1.SLDDRW	SHEET 1 OF 1